

## Ball Valve, Plastic

### Construction

The GEMÜ 710 pneumatically operated 2/2 or 3/2 way plastic ball valve has a corrosion resistant low maintenance piston actuator which is available with “normally closed” and “double acting” control functions.

### Features

- Suitable for inert and corrosive\* liquid and gaseous media
- The union body enables the valve to be installed in the pipeline without additional components

### Advantages

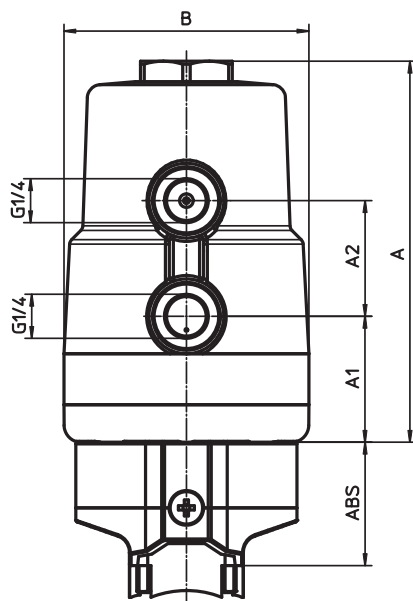
- High flow capability
- Low weight
- Optional accessories for 2/2-way ball valve:
  - Mounting plate DN 15 - DN 25 order no. 88290237
  - Mounting plate DN 32- DN 50 order no. 88290238
 Please order separately

\* see information on working medium on page 2



Actuator dimensions [mm]				
Actuator size	A	A1	A2	B
0	112	37	34	72
1	178	42	65	97

Selection table for actuator size see page 3



Actuator with mounting kit for 2/2-way version

## Technical data

### Working medium

Corrosive, inert, gaseous and liquid media which have no negative impact on the physical and chemical properties of the body and seal materials.

Max. perm. pressure of working medium 10 bar\*  
(for water and non-hazardous media to which the body material is resistant)

Max. perm. temperature of working medium\*

\*see datasheet "Technical Information on Plastic Materials"

### Control medium

Inert gases

Max. control pressure 6 bar

Min. control pressure C.f. 1 5.5 bar

Min. control pressure C.f. 3 3.0 bar

Max. perm. temperature of control medium 60° C

Filling volume actuator 0 0,05 NI

Filling volume actuator 1 0,2 NI

### Tightness:

Tightness: EN 12266-1 / leakage rate A

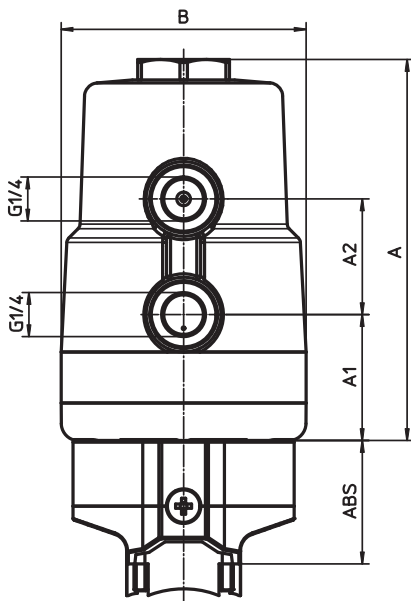
Nominal size [mm]	Kv value		Weight [g]				
	l/min		PVC-U		PP		PVDF
	Body type D	Body type M	Body type D	Body type M	Body type D	Body type M	Body type D
15	200	depending on ball configuration and ball position	785	760	725	690	835
20	385		920	900	820	785	985
25	770		2185	2130	2045	1970	2285
32	1100		2465	2445	2250	2185	2605
40	1750		2740	2880	2490	2450	2940
50	3400		3500	3675	3065	2990	3870

## Actuator dimensions [mm]

Actuator dimensions [mm]				
Actuator size	A	A1	A2	B
0	112	37	34	72
1	178	42	65	97

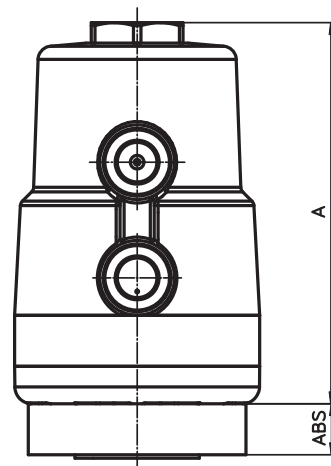
Selection table for actuator size see page 3

Actuator with mounting kit for 2/2-way version



Mounting kit [mm]		
DN	2/2 way	3/2 way
15	30.0	11
20	35.5	15
25	35.5	15
32	47.0	8
40	47.0	8
50	52.5	16

Actuator with mounting kit for 3/2-way version



**Inserts for connections other than standard solvent cement / welded sockets\***

Valve body materials	Butt weld spigots		Threaded sockets		
	PE	PP		PVC-U	PP
DN			Threads		
15	CVDE 020	CVDM 020	G 1/2	POFV 012	POFM 012
20	CVDE 025	CVDM 025	G 3/4	POFV 034	POFM 034
25	CVDE 032	CVDM 032	G 1	POFV 100	POFM 100
32	CVDE 040	CVDM 040	G 1 1/4	POFV 114	POFM 114
40	CVDE 050	CVDM 050	G 1 1/2	POFV 112	POFM 112
50	CVDE 063	CVDM 063	G 2	POFV 200	POFM 200
65	CVDE 075	CVDM 075	G 2 1/2	POFV 212	POFM 212
80	CVDE 090	CVDM 090	G 3	POFV 300	POFM 300
100	CVDE 110	CVDM 110	G 4	POFV 400	POFM 400

\* please order separately

**Order data**

Body type	Code
Straight through (2/2-way)	D
Multi-port (3/2-way)	M

Actuator size (see table below)	Code
Actuator ø 50 mm	0
Actuator ø 70 mm	1

Connection	Code
Solvent cement/welded sockets (DIN) Further connections by using inserts see table page 2	2

Selection table for actuator size		
DN	Control function 1	Control function 3
15	0	0
20	0	0
25	1	0
32	1	1
40	1	1
50	1	1

Valve body material	Code
PVC-U	1
PP (only seal material code 4)	5
PVDF (only body type D / only seal material code 4)	20

Seal material	Code
Seat: PTFE/O-rings: FPM	4
Seat: PTFE/O-rings: EPDM (only with PVC-U)	14

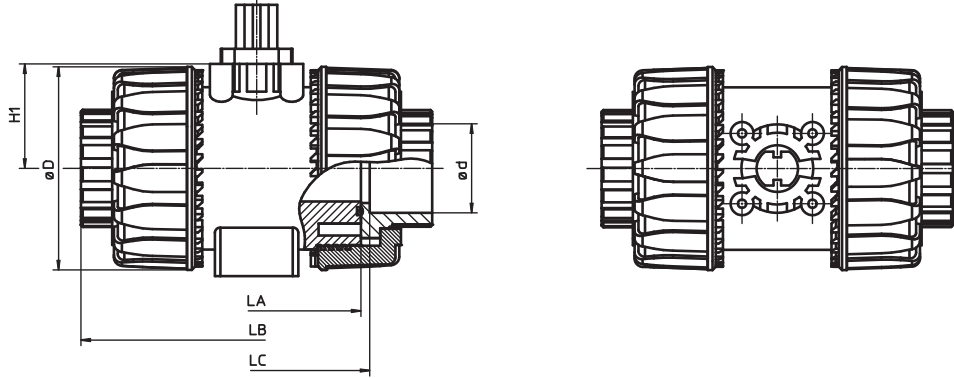
Ball configuration (only with body type M)	Code
T ball	T
L ball	L

Control function	Code
Normally closed	1
Double acting	3

Order example	710	15	M	2	1	14	1	0	T
Type	710								
Nominal size		15							
Body type (code)			M						
Connection (code)				2					
Valve body material (code)					1				
Seal material (code)						14			
Control function (code)							1		
Actuator size (code)								0	
Ball configuration (code)									T

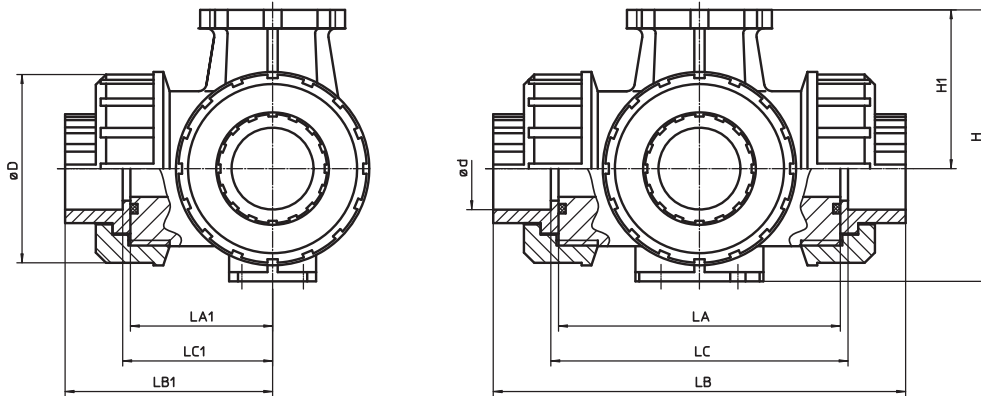
Body dimensions 2/2-way version [mm]

DN	LA			LB			LC			H1	øD	ød
	PVC	PP	PVDF	PVC	PP	PVDF	PVC	PP	PVDF			
15		65		103	102		71	73		28	54	20
20		70		115	114		77	82		34	65	25
25		78		128	126		84	90		38	73	32
32	88	85		146	141		94	100		44	86	40
40		93		164	164		102	117		50	98	50
50		111			199		123	144		61	122	63



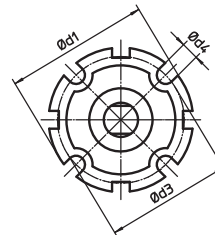
Body dimensions 3/2-way version [mm]

DN	LA			LB			LC			LA1			LB1			LC1			H	H1	øD	ød
	PVC	PP	PVDF	PVC	PP	PVDF	PVC	PP	PVDF	PVC	PP	PVDF	PVC	PP	PVDF	PVC	PP	PVDF				
15		80		118.0	117.0		86.0	88.0		40.0	59.0	58.5	43.0	44.0	83.0	51.0	55	20				
20		100		145.0	144.0		107.0	112.0		50.0	72.5	72.0	53.5	56.0	95.5	56.5	66	25				
25		110		160.0	158.0		116.0	122.0		55.0	80.0	79.0	58.0	61.0	107.0	62.0	75	32				
32		131		188.5	183.5		136.5	142.5		65.5	94.3	91.8	68.3	71.3	128.5	78.0	87	40				
40		148		219.0	219.0		157.0	172.0		74.0	109.5	109.5	78.5	86.0	136.0	80.0	100	50				
50		179		266.5		190.5	211.5		89.5		133.3	95.3	105.8	165.0	97.5	122	63					



Connection dimensions 3/2-way version [mm]

DN	ød4	ød1	ød3	ISO 5211
15	5.5	48	42	F 04
20	7.0	57	50	F 05
25	7.0	57	50	F 05
32	9.5	79	70	F 07
40	9.5	79	70	F 07
50	9.5	79	70	F 07

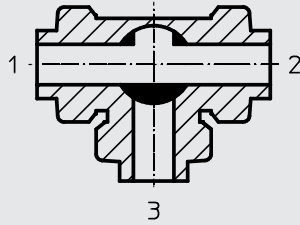


## Port positions

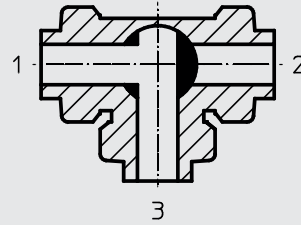
### T - port

As supplied

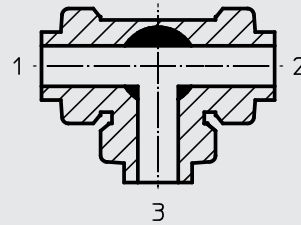
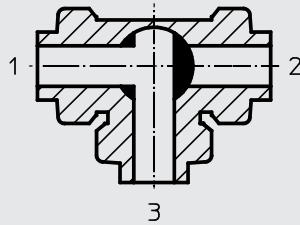
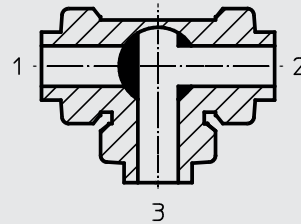
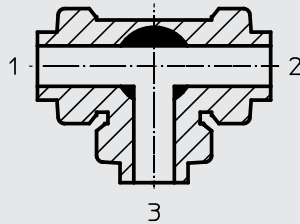
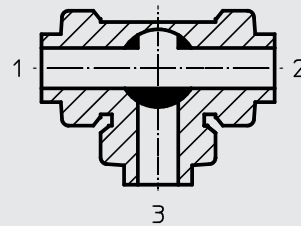
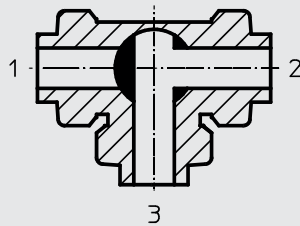
C.f. 1 Start position  
C.f. 3 Air to top port



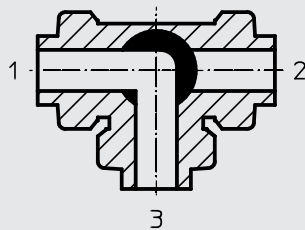
C.f. 1 Actuated  
C.f. 3 Air to bottom port



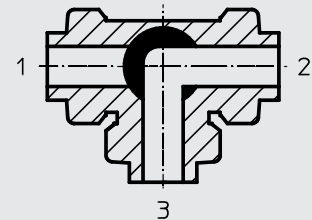
Optional port positions, can be user adjusted



### L - port



As supplied



Optional port position, can be user adjusted

## Accessories



**GEMÜ® 324**  
3/2-way solenoid valve



**GEMÜ® 1201**  
Electrical position indicator  
with microswitches



**GEMÜ® 1214**  
Electrical position indicator  
with proximity switches



**GEMÜ® 1230**  
Electrical position indicator  
with microswitches



**GEMÜ® 1435**  
Electro-pneumatic positioner  
single or double acting



**GEMÜ® 1470**  
Control air adapter NAMUR

Further ball valves, accessories and other products see our Product Range catalogue and Price List. Contact GEMÜ.



**GEMÜ®** VALVES, MEASUREMENT  
AND CONTROL SYSTEMS