

High Purity Diaphragm Valve, Plastic

Construction

The GEMÜ 600 HP 2/2 way valve has a low maintenance piston actuator which can be controlled by inert gases. It has a stroke limiter, a manual override and an integral optical position indicator as standard. Normally Closed, Normally Open and Double Acting control functions are available.

Features

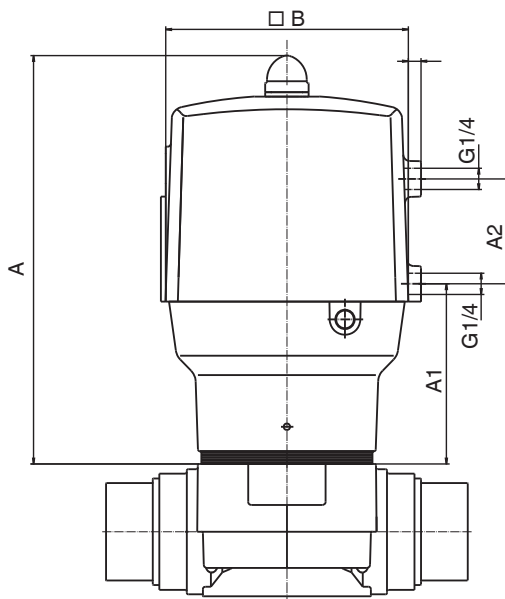
- Suitable for inert and corrosive* liquid and gaseous high purity media
- All medium wetted parts and the housing are made of high quality plastic materials
 - Valve body: PFA-Inliner/PVDF-Outliner (carbon-filled)
 - Diaphragm material: PTFE/EPDM
 - Actuator: PP glass fibre reinforced
- Control connection in flow direction as standard, therefore installation in restricted spaces possible
- Manufactured under cleanroom conditions

Advantages

- Good K_v value
- Minimal deadleg
- Optional flow direction, will seal in either flow direction up to full working pressure
- Due to its design particularly suitable for polishing agents and slurries
- Optional mounting position
- Optional accessories
 - Electrical position indicator with microswitches or proximity switches
 - Pneumatic or electro-pneumatic positioners
 - Control air adapter for pilot valves according to Namur

* see information on working medium on page 2

Main dimensions [mm / inch]



DN	A	A1	A2	□ B	B1
40	192 / 7.56	93 / 3.66	65 / 2.56	125 / 4.92	9 / 0.35
50	230 / 9.06	110 / 4.33	65 / 2.56	150 / 5.91	8 / 0.31



Technical data

Working medium

Corrosive, inert, gaseous and liquid media which have no negative impact on the physical and chemical properties of the body and diaphragm material.

Control medium

Inert gases

Required control pressure see table below

Max. perm. temperature of control medium 40°C

Working temperature

Max. 90°C (194°F), higher temperatures upon request

depending on working pressure

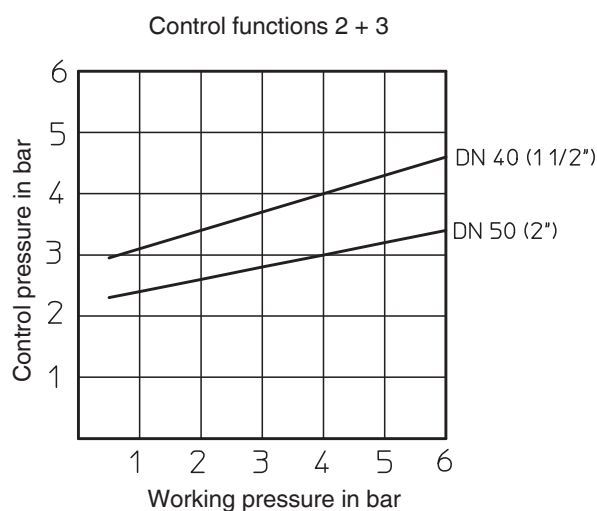
Ambient temperature

60°C (140°F)

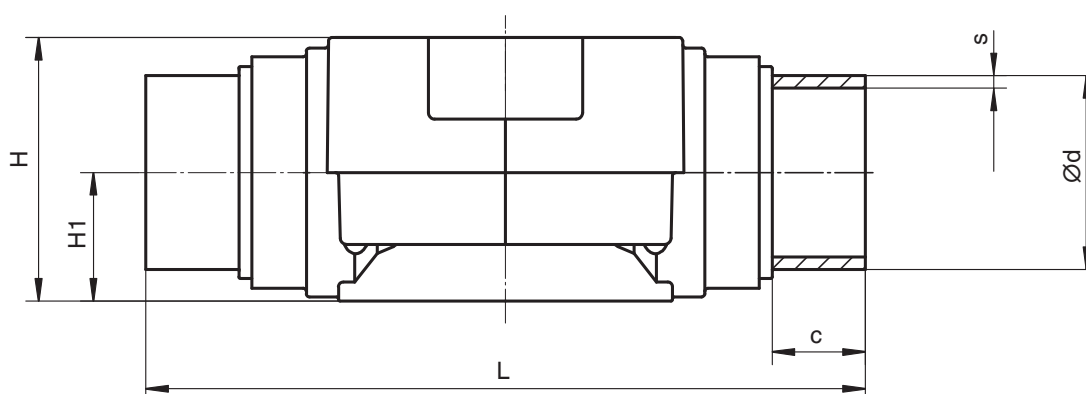
Nominal size	Control function 1		Control functions 2+3		Kv value	Cv value	Weight
	Operating pressure	Control pressure	Working pressure	Control pressure	[m ³ /h]	[US gal/min]	
1 1/2" pipe DN 40	0 - 6 bar	5 - 6 bar	0 - 6 bar	max. 5 bar*	25.0	29.3	4.3
2" pipe DN 50					46.0	53.8	7.4

All pressures are given as gauge pressures.. *see diagram below

Control pressure characteristic DN 40 (1 1/2") and DN 50 (2")



Dimensions [mm / inch]

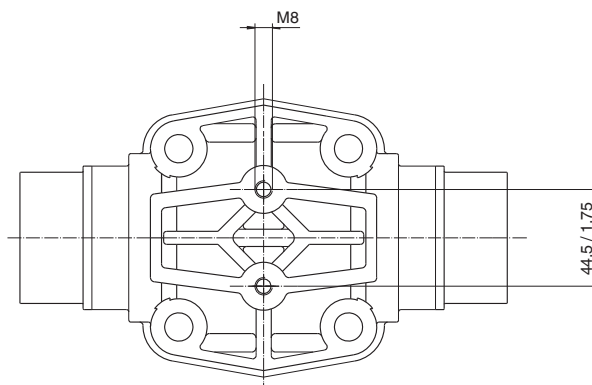


Imperial butt weld spigots, connection code 30

Nominal size	L	H	H1	Ød	s	c
40	192 / 7.56	74 / 2.91	40 / 1.6	50 / 1.97	3,7 / 0.15	33 / 1.32
50	224 / 8.82	82 / 3.23	40 / 1.6	63 / 2.48	3,9 / 0.15	29 / 1.14

Dimensions [mm / inch]

Mounting holes DN 40 (1 1/2") und DN 50 (2")



Order data

Nominal size	Code
1 1/2" pipe DN 40	40
2" pipe DN 50	50

Body configuration	Code
Straight through	D

Connection	Code
Imperial butt weld spigots (DIN length)	30

Valve body material	Code
PFA-Inliner/PVDF-Outliner (carbon filled)	23

Diaphragm material	Code
PTFE/EPDM	5E

Control function	Code
Normally closed	1
Normally open	2
Double acting (upon request)	3

Operator version	Code
Actuator size 3/N (DN 40)	3/N
Actuator size 4/N (DN 50)	4/N

High Purity design	Code
High Purity	HP

Order example	600	50	D	30	23	5E	1	4/N	HP
Type	600								
Nominal size		50							
Body configuration (code)			D						
Connection (code)				30					
Valve body material (code)					23				
Diaphragm material (code)						5E			
Control function (code)							1		
Antriebsausführung (Code)								4/N	
High Purity design (code)									HP

Other HP valves



GEMÜ 677 HPW



CleanStar® C60



CleanStar® C60/C67



CleanStar® C67

Further High Purity products



HydraLine®
Pressure Measurement
Systems



PurePlus®
High Purity PVDF/PP
Valves and Flowmeters



SonicLine®
Ultra-Sonic Flowmeters



FlareStar®
Ultra Pure PFA
Tube and Weld Fittings



TubeStar®
High Purity PFA Tubing

For further plastic diaphragm valves, accessories and other products please see our Product Range catalogue and Price List. Contact GEMÜ.



GEMÜ® VALVES, ACTUATORS
AND CONTROL SYSTEMS