

Diaphragm Valve, Metal

Construction

The GEMÜ 601, 612 and 673 manually operated diaphragm valves have a temperature resistant plastic handwheel, GEMÜ 602 has a stainless steel handwheel. Bonnet and internals are made all of stainless steel. An integral optical position indicator and a seal adjuster to increase service life of the diaphragm are included as standard.

Features

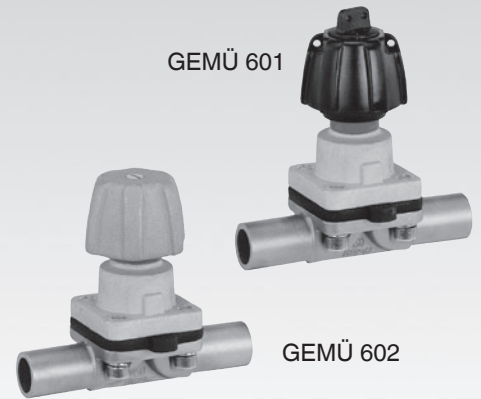
- Suitable for inert and corrosive* liquid and gaseous media
- Chemical resistance of bonnet
- CIP/SIP cleaning and sterilizing capabilities
- Autoclave capability
- Insensitive to particulate media
- Valve body and diaphragm available in various materials and designs
- Compact design (ideal when space is at a premium)
- Stepless minimum flow regulation due to seal adjuster
- Versions according to ATEX on request

Advantages

- Hermetic separation between medium and actuator
- Optional flow direction, will seal in either flow direction up to full operating pressure
- Optional mounting position
- Long service life of the diaphragm due to patented seal adjuster (US-Pat. 5 377 956)
- Valve body also available in multi-port designs (M-block and T-body) or as tank bottom valve body

*see information on working medium on page 2

GEMÜ 601



GEMÜ 602

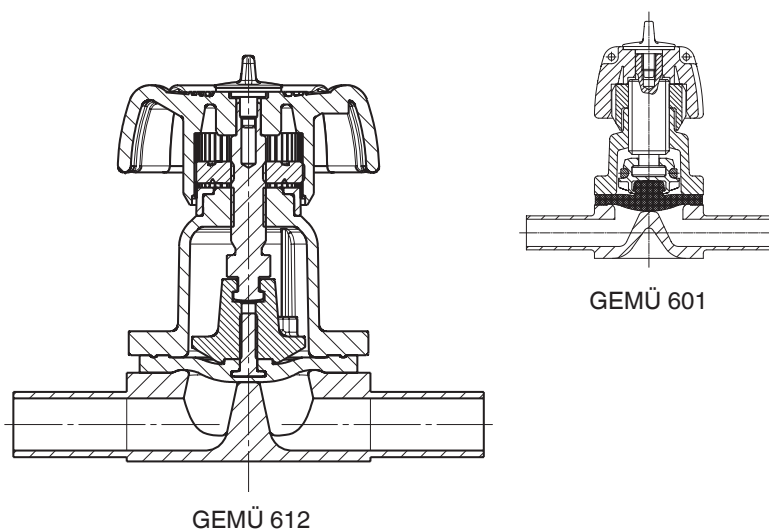


GEMÜ 612



GEMÜ 673

Sectional drawing



GEMÜ 601

GEMÜ 612

Technical data

Working medium

Corrosive, inert, gaseous and liquid media which have no negative impact on the physical and chemical properties of the body and diaphragm material.

Ambient conditions

Max. ambient temperature 60 °C

Operating temperature

Liquids max. 90 °C

Steam max. 150 °C

(dependent on diaphragm material)

Type	Diaphragm size	Nominal size DN	Max. operating pressure [bar]	
			EPDM	PTFE
GEMÜ 601/602	8	4, 6, 8, 10, 15	10	6
GEMÜ 612	10	10 12 15 20	10	6
GEMÜ 673	25 40 50	15 20 25 32 40 50	10	6

All pressures are gauge pressures. Operating pressure values were determined with static operating pressure applied on one side of a closed valve. Sealing at the valve seat and atmospheric sealing is ensured for the given values. Information on operating pressures applied on both sides and for high purity media on request.

Kv values [m³/h]

Type	MG	DN	DIN Code 0	DIN 11850 Series 1 Code 16	DIN 11850 Series 2 Code 17	DIN 11850 Series 3 Code 18	SMS 3008 Code 37	ASME BPE Code 59	EN ISO 1127 Code 60
GEMÜ 601/602	8	4	0.5	-	-	-	-	-	-
		6	1.1	-	-	-	-	-	1.2
		8	1.3	-	-	-	-	0.6	2.2
		10	-	2.1	2.1	2.1	-	1.3	-
		15	-	-	-	-	-	2.0	-
GEMÜ 612	10	10	-	2.4	2.4	2.4	-	2.2	3.3
		15	3.3	3.8	3.8	3.8	-	2.2	4.0
		20	-	-	-	-	-	3.8	-
GEMÜ 673	25	15	4.1	4.7	4.7	4.7	-	-	7.4
		20	6.3	7.0	7.0	7.0	-	4.4	13.2
	40	25	13.9	15.0	15.0	15.0	12.6	12.2	16.2
		32	25.3	27.0	27.0	27.0	26.2	-	30.0
		40	29.3	30.9	30.9	30.9	30.2	29.5	32.8
		50	46.5	48.4	48.4	48.4	51.7	50.6	55.2

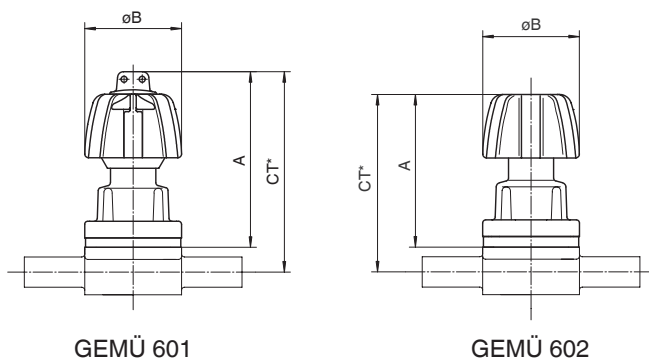
Kv values determined acc. to IEC 534 standard, inlet pressure 6 bar, Δ p 1 bar, stainless steel valve body and soft elastomer diaphragm. MG = diaphragm size

Dimensions [mm]

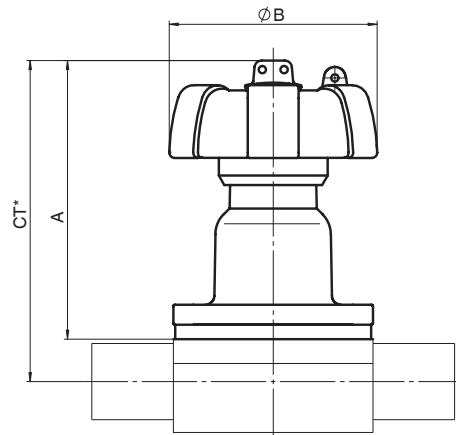
Bonnet dimensions

Type	Diaphragm size	A	Ø B	Weight [kg]
GEMÜ 601	8	58	32	0.10
GEMÜ 602		54	32	0.15
GEMÜ 612	10	80	60	0.40
GEMÜ 673	25	102	90	0.70
	40	119	114	1.30
	50	136	140	2.05

GEMÜ 601 / 602



GEMÜ 612 / 673



* CT = A + H1 (see body dimensions)

Order data

Valve type	Code
GEMÜ 601 diaphragm size 8	601
GEMÜ 602 diaphragm size 8 stainless st. handwheel	602
GEMÜ 612 diaphragm size 10	612
GEMÜ 673 diaphragm size 25 - 50	673

Body configuration	Code
Tank valve body	B**
2/2-way body	D
Multi-port design	M**
T body	T*
* For dimensions see T Valves brochure	
** Dimensions and versions on request	

Connection	Code
Butt weld spigots	
Spigots DIN	0
Spigots DIN 11850, series 1	16
Spigots DIN 11850, series 2	17
Spigots DIN 11850, series 3	18
Spigots DIN 11866, series A	1A
Spigots DIN 11866, series B	1B
Spigots JIS-G 3447	35
Spigots JIS-G 3459	36
Spigots SMS 3008	37
Spigots BS 4825, Part 1	55
Spigots ASME BPE	59
Spigots EN ISO 1127	60
Spigots ANSI/ASME B36.19M, Schedule 10s	63
Spigots ANSI/ASME B36.19M, Schedule 40s	65
Threaded connections	
Threaded sockets DIN ISO 228	1
Threaded spigots DIN 11851	6
One side threaded spigot, other side cone spigot and union nut, DIN 11851	62
Aseptic unions on request	
For overview of available valve bodies see page 8	

For further order data see page 4

Order data

Connection	Code
Flanges (GEMÜ 673)	
Flanges EN 1092 / PN16 / form B, length EN 558, series 1, ISO 5752, basic series 1	8
Flanges ANSI class 125/150 RF, length MSS SP-88	38
Flanges ANSI class 125/150 RF, length EN 558, series 1, ISO 5752, basic series 1	39
Clamp connections	
Clamps ASME BPE for pipe ASME BPE, short design	80
Clamp DIN 32676 series B for pipe EN ISO 1127, length EN 558, series 7	82
Clamp ASME BPE for pipe ASME BPE, length EN 558, series 7	88
Clamps DIN 32676 series A for pipe DIN 11850, length EN 558, series 7	8A
Clamps SMS 3017 for pipe SMS 3008, length EN 558, series 7	8E
For overview of available valve bodies see page 8	

Valve body material	Code
EN-GJS-400-18-LT (SG iron 40.3) PFA lined	17
EN-GJS-400-18-LT (SG iron 40.3) PP lined	18
1.4435 - BN2 (CF3M), investment casting Fe<0.5%	32
1.4435 (ASTM A 351 CF3M, Δ 316L), investment casting	34
1.4408, investment casting	37
1.4435 (316L), forged body	40
1.4435 (BN2), forged body Fe<0.5%	42

Valve body surface finish, internal contour		Code
Ra \leq 6.3 μ m	blasted internal/external	1500*
Ra \leq 6.3 μ m	electropolished internal/external	1509*
Ra \leq 0.8 μ m	mechanically polished internal, blasted external	1502
Ra \leq 0.8 μ m	electropolished internal/external	1503
Ra \leq 0.6 μ m	mechanically polished internal, blasted external	1507
Ra \leq 0.6 μ m	electropolished internal/external	1508
Ra \leq 0.4 μ m	mechanically polished internal, blasted external	1536
Ra \leq 0.4 μ m	electropolished internal/external	1537
Ra \leq 0.25 μ m	mechanically polished internal, blasted external	1527
Ra \leq 0.25 μ m	electropolished internal/external	1516

Ra acc. to DIN 4768; at defined reference points
Surface finish data refer to medium wetted surfaces

* only investment cast design

Diaphragm material		Code
FPM		4 4A**
EPDM	max. 130°C*	12 -
EPDM	max. 150°C*	13 3A**
EPDM	max. 150°C*	16 6A**
EPDM	max. 150°C*	17 17**
PTFE/EPDM convex, PTFE loose	max. 150°C*	5E -
PTFE/FPM convex, PTFE loose	max. 150°C*	5F -
PTFE/EPDM, PTFE lamin.	max. 150°C*	52*** 5A**
* Steam sterilization temperature / 20 min		
** for diaphragm size 8 *** for diaphragm size 10		
** Material complies with FDA requirements, except codes 4, 4A and 5F		

Control function	Code
Manually operated	0

Bonnet version	Code
With seal adjuster, metal handwheel GEMÜ 602	M*
With seal adjuster, black handwheel GEMÜ 601, 612, 673	S*
With seal adjuster, white handwheel GEMÜ 601, 612, 673	W**
* autoclave capability ** ultra high purity chemicals	

Order example	601	8	D	60	34	17	0	S	1500
Type	601								
Nominal size		8							
Body configuration (code)			D						
Connection (code)				60					
Valve body material (code)					34				
Diaphragm material (code)						17			
Control function (code)							0		
Bonnet version (code)								S	
Surface finish (code)									1500

Body dimensions [mm]

Butt weld spigots, connection code 0, 16, 17, 18, 1A, 1B, 60 Valve body material: investment casting (code 34), forged body (code 40)

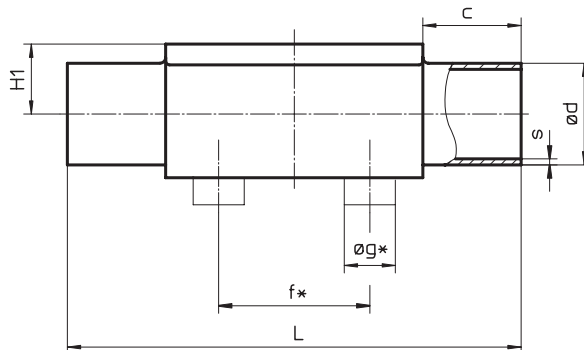
Type	MG	DN	NPS	f*	øg*	L	c	H1*	H1**	DIN Series 0 Code 0		DIN 11850 Series 1 Code 16		DIN 11850 Series 2 Code 17		DIN 11850 Series 3 Code 18		DIN 11866 Series A Code 1A		DIN 11866 Series B Code 1B		EN ISO 1127 Code 60		Weight [kg]
										ød	s	ød	s	ød	s	ød	s	ød	s	ød	s	ød	s	
GEMÜ 601, 602	8	4	-	-	-	72	20	8.5		6	1.0	-	-	-	-	-	-	-	-	-	-	-	-	0.09
		6	-	-	-	72	20	8.5		8	1.0	-	-	-	-	-	-	8	1.0	10.2	1.6	10.2	1.6	0.09
		8	1/4"	-	-	72	20	8.5		10	1.0	-	-	-	-	-	-	10	1.0	13.5	1.6	13.5	1.6	0.09
		10	3/8"	-	-	72	20	8.5		-	-	12	1.0	13	1.5	14	2.0	13	1.5	-	-	-	-	0.09
		15	1/2"	-	-	72	20	8.5		-	-	-	-	-	-	-	-	-	-	-	-	-	-	-
GEMÜ 612	10	10	3/8"	30	13.5	108	25	12.5		-	-	12	1.0	13	1.5	14	2.0	13	1.5	17.2	1.6	17.2	1.6	0.30
		15	1/2"	30	13.5	108	25	12.5		18	1.5	18	1.0	19	1.5	20	2.0	19	1.5	21.3	1.6	21.3	1.6	0.30
		20	3/4"	30	13.5	108	25	12.5		-	-	-	-	-	-	-	-	-	-	-	-	-	-	-
GEMÜ 673	25	15	1/2"	40	13.5	120	25	13.0	19.0	18	1.5	18	1.0	19	1.5	20	2.0	19	1.5	21.3	1.6	21.3	1.6	0.62
		20	3/4"	40	13.5	120	25	16.0	19.0	22	1.5	22	1.0	23	1.5	24	2.0	23	1.5	26.9	1.6	26.9	1.6	0.58
		25	1"	40	13.5	120	25	19.0	19.0	28	1.5	28	1.0	29	1.5	30	2.0	29	1.5	33.7	2.0	33.7	2.0	0.55
	40	32	1 1/4"	68	13.5	153	25	24.0	26.0	34	1.5	34	1.0	35	1.5	36	2.0	35	1.5	42.4	2.0	42.4	2.0	1.45
		40	1 1/2"	75	13.5	153	25	26.0	26.0	40	1.5	40	1.0	41	1.5	42	2.0	41	1.5	48.3	2.0	48.3	2.0	1.32
50	2"	90	13.5	173	30	32.0	32.0	52	1.5	52	1.0	53	1.5	54	2.0	53	1.5	60.3	2.0	60.3	2.0	2.25		

* only for investment cast design ** only for forged design MG = diaphragm size
For materials see overview on last page

Butt weld spigots, connection code 35, 36, 37, 55, 59, 63, 65 Valve body material: investment casting (code 34), forged body (code 40)

Type	MG	DN	NPS	f*	øg*	L	c	H1*	H1**	JIS-G 3447 Code 35		JIS-G 3459 Code 36		SMS 3008 Code 37		BS 4825 Code 55		ASME BPE Code 59		ANSI/ASME B36.19M 10s Code 63		ANSI/ASME B36.19M 40s Code 65		Weight [kg]
										ød	s	ød	s	ød	s	ød	s	ød	s	ød	s	ød	s	
GEMÜ 601, 602	8	4	-	-	-	72	20	8.5		-	-	-	-	-	-	-	-	-	-	-	-	-	-	0.09
		6	-	-	-	72	20	8.5		-	-	10.5	1.20	-	-	-	-	-	-	10.3	1.24	10.3	1.73	0.09
		8	1/4"	-	-	72	20	8.5		-	-	13.8	1.65	-	-	6.35	1.2	6.35	0.89	13.7	1.65	13.7	2.24	0.09
		10	3/8"	-	-	72	20	8.5		-	-	-	-	-	-	9.53	1.2	9.53	0.89	-	-	-	-	0.09
		15	1/2"	-	-	72	20	8.5		-	-	-	-	-	-	12.70	1.2	12.70	1.65	-	-	-	-	0.09
GEMÜ 612	10	10	3/8"	30	13.5	108	25	12.5		-	-	17.3	1.65	-	-	9.53	1.2	9.53	0.89	17.1	1.65	17.1	2.31	0.30
		15	1/2"	30	13.5	108	25	12.5		-	-	21.7	2.10	-	-	12.70	1.2	12.70	1.65	21.3	2.11	21.3	2.77	0.30
		20	3/4"	30	13.5	108	25	12.5		-	-	-	-	-	-	19.05	1.2	19.05	1.65	-	-	-	-	0.30
GEMÜ 673	25	15	1/2"	40	13.5	120	25	13.0	19.0	-	-	21.7	2.10	-	-	-	-	-	-	21.3	2.11	21.3	2.77	0.62
		20	3/4"	40	13.5	120	25	16.0	19.0	-	-	27.2	2.10	-	-	19.05	1.2	19.05	1.65	26.7	2.11	26.7	2.87	0.58
		25	1"	40	13.5	120	25	19.0	19.0	25.4	1.2	34.0	2.80	25.0	1.2	-	-	25.40	1.65	33.4	2.77	33.4	3.38	0.55
	40	32	1 1/4"	68	13.5	153	25	24.0	26.0	31.8	1.2	42.7	2.80	33.7	1.2	-	-	-	-	42.2	2.77	42.2	3.56	1.45
		40	1 1/2"	75	13.5	153	25	26.0	26.0	38.1	1.2	48.6	2.80	38.0	1.2	-	-	38.10	1.65	48.3	2.77	48.3	3.68	1.32
50	2"	90	13.5	173	30	32.0	32.0	50.8	1.5	60.5	2.80	51.0	1.2	-	-	50.80	1.65	60.3	2.77	60.3	3.91	2.25		

* only for investment cast design ** only for forged design MG = diaphragm size
For materials see overview on last page

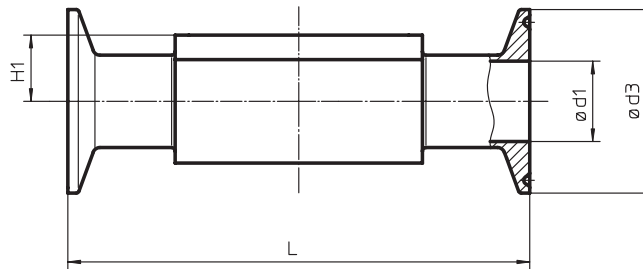


Body dimensions [mm]

Clamp connections, connection code 80, 82, 88, 8A, 8E Valve body material: forged body (code 40)

Type	MG	DN	NPS	H1	for pipe ASME BPE Code 80			for pipe EN ISO 1127 Code 82			for pipe ASME BPE Code 88			for pipe DIN 11850 Code 8A			for pipe SMS 3008 Code 8E			Weight [kg]
					ød1	ød3	L	ød1	ød3	L	ød1	ød3	L	ød1	ød3	L	ød1	ød3	L	
GEMÜ 601, 602	8	6	1/8"	8.5	-	-	-	7.0	25.0	63.5	-	-	-	6	25.0	63.5	-	-	-	-
		8	1/4"	8.5	4.57	25.0	63.5	10.3	25.0	63.5	-	-	-	8	25.0	63.5	-	-	-	0.15
		10	3/8"	8.5	7.75	25.0	63.5	-	-	-	-	-	-	10	34.0	88.9	-	-	-	0.18
		15	1/2"	8.5	9.40	25.0	63.5	-	-	-	9.40	25.0	108	-	-	-	-	-	-	0.18
GEMÜ 612	10	10	3/8"	12.5	-	-	-	14.0	25.0	108.0	-	-	-	10	34.0	108.0	-	-	-	0.30
		15	1/2"	12.5	9.40	25.0	88.9	18.1	50.5	108.0	9.40	25.0	108	16	34.0	108.0	-	-	-	0.43
		20	3/4"	12.5	15.75	25.0	101.6	-	-	-	15.75	25.0	117	-	-	-	-	-	-	0.43
GEMÜ 673	25	15	1/2"	19.0	-	-	-	18.1	50.5	108.0	-	-	-	16	34.0	108.0	-	-	-	0.75
		20	3/4"	19.0	15.75	25.0	101.6	23.7	50.5	117.0	15.75	25.0	117	20	34.0	117.0	-	-	-	0.71
	40	25	1"	19.0	22.10	50.5	114.3	29.7	50.5	127.0	22.10	50.5	127	26	50.5	127.0	22.6	50.5	127	0.63
		32	1 1/4"	26.0	-	-	-	38.4	64.0	146.0	-	-	-	32	50.5	146.0	31.3	50.5	146	1.62
		40	1 1/2"	26.0	34.80	50.5	139.7	44.3	64.0	159.0	34.80	50.5	159	38	50.5	159.0	35.6	50.5	159	1.50
		50	2"	32.0	47.50	64.0	158.8	56.3	77.5	190.0	47.50	64.0	190	50	64.0	190.0	48.6	64.0	190	2.50

MG = Diaphragm size

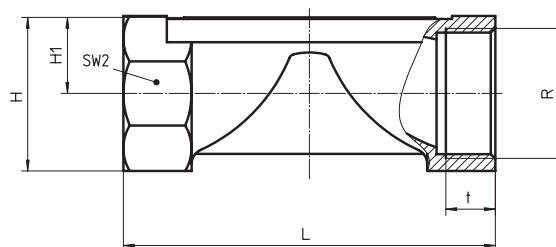


Threaded sockets, connection code 1 valve body material: investment casting (code 34, 37)

Type	MG	DN	R	H	H1	t	L	SW2	Number of flats	Weight [kg]
GEMÜ 601, 602	8	8	G 1/4	19	8,5	12	72	17	2	0,09
GEMÜ 612	10	12	G 3/8	23	10,5	13	55	22	2	0,17
		15	G 1/2	29	13,5	15	68	24	2	0,26
GEMÜ 673	25	15	G 1/2	30	16,0	9	85	27	6	0,32
		20	G 3/4	33	17,0	10	85	32	6	0,34
	40	25	G 1	37	17,0	13	110	41	6	0,39
		32	G 1 1/4	50	25,0	16	120	50	8	0,88
		40	G 1 1/2	52	25,0	18	140	55	8	0,93
50	50	G 2	69	34,0	18	165	70	8	1,56	

MG = Diaphragm size

For materials see overview on last page



Body dimensions [mm]

Threaded connections, connection code 6, 62 Valve body material: investment casting (code 34), forged body (code 40)

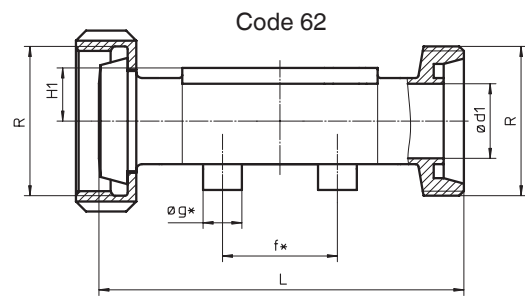
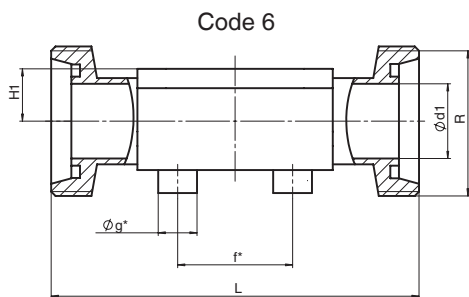
Type	MG	DN	H1*	H1**	f*	øg*	ød1	Thread to DIN 405 R	Code 6 L	Code 62 L	Weight [kg]
GEMÜ 601, 602	8	10	8.5	-	-	-	10.0	RD 28 x 1/8	92	90	0.21
GEMÜ 612	10	10	12.5	-	30.0	13.5	10.0	RD 28 x 1/8	118	116	0.33
		15	12.5	-	30.0	13.5	16.0	RD 34 x 1/8	118	116	0.35
GEMÜ 673	25	15	13.0	19	40.0	13.5	16.0	RD 34 x 1/8	118	116	0.71
		20	16.0	19	40.0	13.5	20.0	RD 44 x 1/6	118	114	0.78
		25	19.0	19	40.0	13.5	26.0	RD 52 x 1/6	128	127	0.79
		32	24.0	26	68.0	13.5	32.0	RD 58 x 1/6	147	147	1.66
		40	26.0	26	75.0	13.5	38.0	RD 65 x 1/6	160	160	1.62
50	32.0	32	90.0	13.5	50.0	RD 78 x 1/6	191	191	2.70		

* only for investment cast design

** only for forged design

MG = diaphragm size

For materials see overview on last page

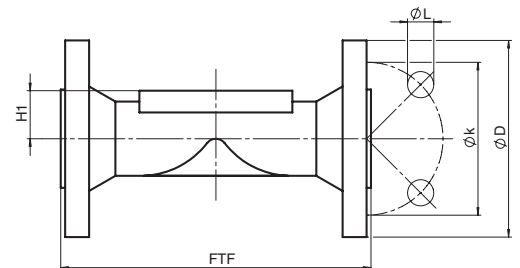


Flanges - DIN EN 1092-2, connection code 8 Valve body material: GGG 40.3 (code 17, 18), 1.4435 (code 34, 40)

Type	MG	DN	øD	øk	øL	Number of bolt	H1			FTF	Weight [kg]
							Material code 17, 18	Material code 34	Material code 40		
GEMÜ 673	25	15	95	65	14	4	18.0	13.0	19.0	130*	1.85
		20	105	75	14	4	20.5	16.0	19.0	150	2.35
		25	115	85	14	4	23.0	19.0	19.0	160	2.85
	40	32	140	100	18	4	28.7	24.0	26.0	180	4.90
		40	150	110	18	4	33.0	26.0	26.0	200	5.65
50	50	165	125	18	4	39.0	32.0	32.0	230	7.45	

*Material code 34, L = 150 (no DIN length)

MG = diaphragm size For materials see overview on last page



Flanges - ANSI B 16.5, connection code 38, 39 Valve body material: GGG 40.3 (code 17, 18), 1.4435 (code 34, 40)

Typ	MG	DN	øD	øk	øL	Number of bolt	H1			FTF		Weight [kg]
							Material code 17, 18	Material code 34	Material code 40	Connection code 38	Connection code 39	
GEMÜ 673	25	15	88.9	60.5	15.7	4	18.0	13.0	19.0	-	130	1.85
		20	98.6	69.9	15.7	4	20.5	16.0	19.0	146	150	2.35
		25	108.0	79.2	15.7	4	23.0	19.0	19.0	146	160	2.85
	40	32	117.3	88.9	15.7	4	28.7	24.0	26.0	-	180	4.90
		40	127.0	98.6	15.7	4	33.0	26.0	26.0	175	200	5.65
50	50	152.4	120.7	19.1	4	39.0	32.0	32.0	200	230	7.45	

MG = diaphragm size

For materials see overview on last page

Overview of valve bodies for GEMÜ 601, 602, 612, 673

		Threaded connections								Spigots																							
Type	Connection code	1		6		62		0		16		17		18		1A	1B	35		36		37		55		59		60		63		65	
	Material code	34	37	34	40	34	40	34	40	34	40	34	40	34	40	40	40	34	40	40	40	34	40	34	40	34	40	34	40	40	40		
	MG	DN																															
GEMÜ 601, 602	8	4	-	-	-	-	-	X	X	-	-	-	-	-	-	-	-	-	-	-	-	-	-	-	-	-	-	-	-	-	-	-	-
		6	-	-	-	-	-	X	X	-	-	-	-	-	-	X	X	-	-	X	-	-	-	-	-	-	-	X	X	X	X	X	
		8	X	-	-	-	-	X	X	-	-	-	-	-	-	X	X	-	-	X	-	-	X	X	X	X	X	X	X	X	X	X	
		10	-	-	W	W	W	W	-	-	X	X	X	X	X	X	X	-	-	-	-	-	-	-	X	X	X	X	-	-	-	-	
		15	-	-	-	-	-	-	-	-	-	-	-	-	-	-	-	-	-	-	-	-	-	-	X	X	X	X	-	-	-	-	
GEMÜ 612	10	10	-	-	W	W	W	W	-	-	X	X	X	X	X	X	X	-	-	X	-	-	-	X	-	X	X	X	X	X	X		
		12	X	-	-	-	-	-	-	-	-	-	-	-	-	-	-	-	-	-	-	-	-	-	-	-	-	-	-	-	-		
		15	X	-	W	W	W	W	X	X	X	X	X	X	X	X	X	-	-	X	-	-	X	X	-	X	X	X	X	X	X		
		20	-	-	-	-	-	-	-	-	-	-	-	-	-	-	-	-	-	-	-	-	-	X	X	X	X	-	-	-	-		
GEMÜ 673	25	15	-	X	W	W	W	W	X	X	X	X	X	X	-	X	X	X	-	-	X	-	-	-	-	-	X	X	X	X	X		
		20	-	X	W	W	W	W	X	X	X	X	X	X	-	X	X	X	-	-	X	-	-	X	X	X	X	X	X	X	X		
		25	-	X	W	W	W	W	X	X	X	X	X	X	X	X	X	X	X	X	X	X	X	-	-	X	X	X	X	X	X		
	40	32	-	X	W	W	W	W	X	X	X	X	X	X	X	X	X	X	X	X	X	X	X	-	-	-	-	X	X	X	X		
		40	-	X	W	W	W	W	X	X	X	X	X	X	X	X	X	X	X	X	X	X	X	-	-	X	X	X	X	X	X		
		50	-	X	W	W	W	W	X	X	X	X	X	X	X	X	X	X	X	X	X	X	X	-	-	X	X	X	X	X	X		

X Standard W Welded construction MG = diaphragm size

Overview of valve bodies for GEMÜ 601, 602, 612, 673

		Clamps					Flanges										
Type	Connection code	80	82	88	8A	8E	8				38		39				
	Material code	40	40	40	40	40	17	18	34	40	17	18	17	18	34	40	
	MG	DN															
GEMÜ 601, 602	8	6	-	K	-	K	-	-	-	-	-	-	-	-	-	-	-
		8	K	K	-	K	-	-	-	-	-	-	-	-	-	-	-
		10	K	-	-	W	-	-	-	-	-	-	-	-	-	-	-
		15	K	-	W	-	-	-	-	-	-	-	-	-	-	-	-
GEMÜ 612	10	10	-	K	-	K	-	-	-	-	-	-	-	-	-	-	
		12	-	-	-	-	-	-	-	-	-	-	-	-	-	-	
		15	K	W	K	K	-	-	-	-	-	-	-	-	-	-	-
		20	K	-	K	-	-	-	-	-	-	-	-	-	-	-	-
GEMÜ 673	25	15	-	W	-	K	-	X	X	W	W	-	-	X	X	W	W
		20	K	K	K	K	-	X	X	W	W	X	X	X	X	W	W
	25	K	K	K	K	K	X	X	W	W	X	X	X	X	W	W	
	40	32	-	W	-	K	K	X	X	W	W	-	-	X	X	W	W
		40	K	W	K	K	K	X	X	W	W	X	X	X	X	W	W
50		K	W	K	K	K	X	X	W	W	X	X	X	X	W	W	

X Standard
 K Connections completely machined (not welded) in material code 40
 W Welded construction

MG = diaphragm size

Connection code 38 / Material code 18 on request
 Availability of material code 32: same as code 34, availability of material code 42: same as code 40

For further metal diaphragm valves, accessories and other products, please see our Product Range catalogue and Price List. Contact GEMÜ.